

Link do produktu: <https://www.rollco.pl/rozzrusznik-peugeot-j5-19-d-p-836.html>



ROZZRUSZNIK PEUGEOT J5 1.9 D

Cena **290,00 zł**

Dostępność **Dostępny**

Numer katalogowy **ST373**

Kod producenta **STM509**

Opis produktu

SZCZE

GÓŁOW

E ZAST

OSOWA

NIE:

| | | | |
|-------|----------------|--------|--------|
| PEUGE | J5 1.9 D/ XUD9 | 1905cc | 1987-1 |
| OT | | m | 993 |

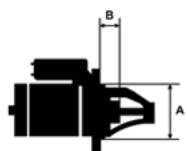
SPECYFIKACJA PRODUKTU

NAPIĘCIE: 12V
IE:

MOC: 1,7 kW

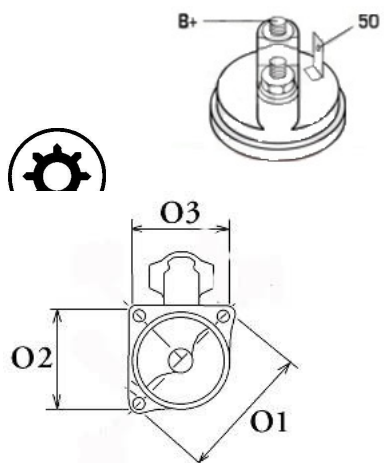
LICZBA OTWORÓW MOCUJĄCYCH: 3 (3 GWINTOWANE)

UWAGI:



| Wymiar | mm |
|--------|-------|
| A | 70,00 |
| B | -6,00 |

SOL 60



| Wymiar | mm |
|--------|--------|
| O1 | 119,00 |
| O2 | 83,00 |
| O3 | 83,00 |

NUMER

Y REFE

RENCYJ

NE

| PRODU CENT | OEM |
|------------------------|----------------|
| Bosch | 000110 9026 |
| Bosch | 000111 0017 |
| Bosch | 000111 0056 |
| Bosch | 000116 5 |
| Bosch | 000131 4034 |
| Bosch | 910100 9880 |
| Bosch | 910400 9880 |
| Bosch E xchang e | 098601 3240 |
| Delco | DRS32 40 |

| | |
|----------|--------|
| Ducellie | 582036 |
| r | |
| Elstock | 25-031 |
| | 8 |
| Elstock | 25-040 |
| | 7 |
| Friesen | 801240 |
| | 0 |
| Friesen | 801324 |
| | 0 |
| Friesen | 801614 |
| | 1 |
| Hc | CS342 |
| Hc | CS373 |
| Hella | 8EA726 |
| | 090-00 |
| | 1 |
| Hella | 8EA726 |
| | 121-00 |
| | 1 |
| Iskra | AZE252 |
| | 1 |
| Lucas | LRS004 |
| | 75 |

| | |
|----------------|--------|
| Lucas | LRS004 |
| | 76 |
| Lucas | LRS019 |
| | 96 |
| Lucas | LRS199 |
| | 6 |
| Lucas | LRS475 |
| Lucas | LRS476 |
| Mitsubi shi | M1T501 |
| | 71 |
| Mitsubi shi | M1T501 |
| | 72 |
| Mitsubi shi | M2T900 |
| | 71 |
| Peugeot | 580236 |
| t | |
| Peugeot | 580292 |
| t | |
| Prestoli te | 352587 |
| | 30 |
| Psa | 910400 |
| | 98 |
| Valeo | 433305 |

| | |
|------------------------|--------|
| Valeo | 455514 |
| Valeo | D7R2 |
| Valeo | D9R121 |
| Valeo | D9R84 |
| Valeo | VS140 |
| Valeo | VS285 |
| Valeo E xchang e | 433305 |
| Valeo E xchang e | 455514 |